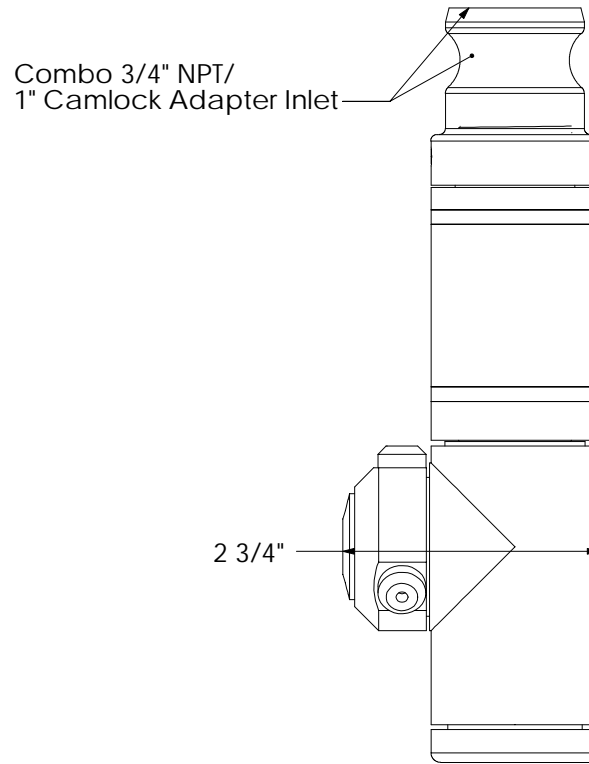


Notes:

- 316 SS, 18-8 Fasteners, Plastics, and Elastomers
- Weight: 4 lbs.
- Dual and Triple (Shown) Nozzle Available
- Nozzle Sizes: Range from 1/8" to 1/4"
- Flow Range: 5 to 40 GPM
- Pressure Range: 10 to 700 PSIG
- Min Full Wash Cycle: 10 minutes
- Clearances: Min: 2.8", Fixed-Centerline: 3-3/4"



Appendix A - Operating Parameters